

D/A · A/A · Load Current:10~80A

Features

- Optically isolated;AC output
- Input LED indicator
- High dv/dt and high blocking voltage
- TTL and COMS compatible
- Zero voltage turn-on, zero current turn-off (minizes EMI/RFI)
- High surge rating allows lamp and motor load switching
- Output snubber circuit protection



Order Code

SDZ 3 80A * * *
a b c d e f

a: Model: SDZ = DC input, AC output ; SAZ = AC input, AC output
 b: Output Voltage: 2 = 240 VAC ; 3 = 380 VAC ; 6 = 600 VAC
 c: Rated Current: 10A, 15A, 20A, 25A, 40A, 50A, 60A, 80A
 d: Turn - On Type: NIL = Zero - On ; R = Random - On
 e: Special Code: NIL = With LED ; N = Without LED
 f: Option: NIL = With Safety Cover ; C = Without Safety Cover

Input

Type No	SDZ	SAZ
Input Voltage Range	3~32 VDC	90~280 VAC
Input Current	5~15 mA	3~20 mA
Min Release Voltage	1 VDC	25 VAC

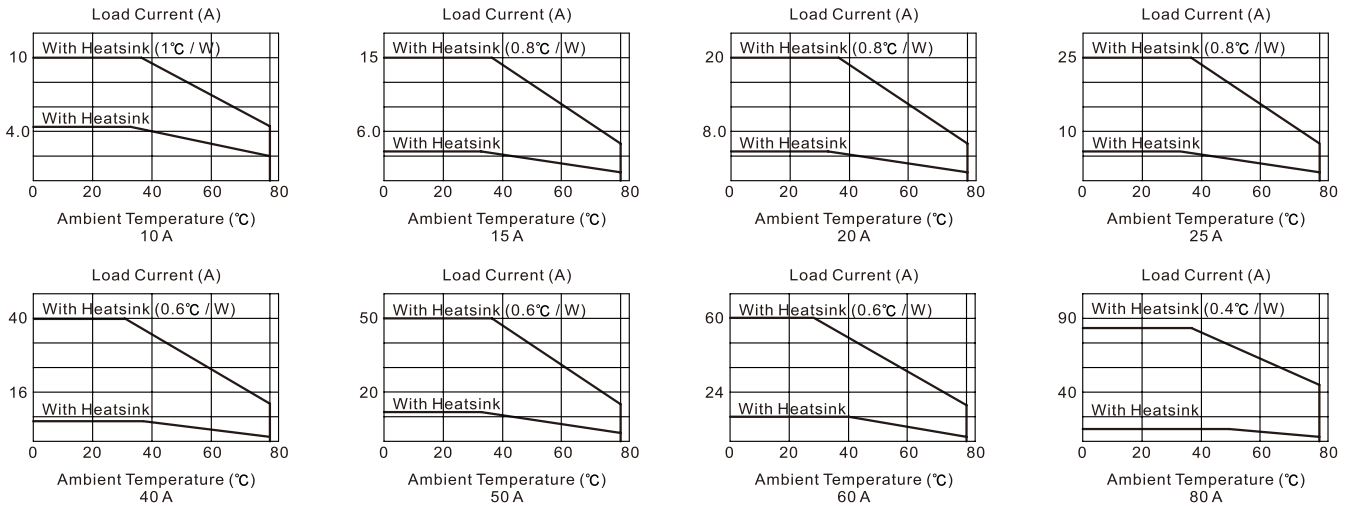
Output Load

Type No	10 A	15 A	20 A	25 A	40 A	50 A	60 A	80 A
Max. Rated Load Current Range	10 A	15 A	20 A	25 A	40 A	50 A	60 A	80 A
Max. Surge Current (10ms)	100A	150A	200A	250A	400A	520A	600A	840A
Load Voltage Range	2	24~280 VAC				- NIL -	- NIL -	
	3	48~400 VAC						
	6	- NIL -				48~600 VAC	- NIL -	
Transient Overvoltage	2	600 Vp				- NIL -	- NIL -	
	3	800 Vp				1200 Vp	800 Vp	
	6	- NIL -					- NIL -	
Max. On - State Voltage drop	2 VAC				1.8 VAC	2 VAC		
Max. Leakage Current					10 mA			
Max. Turn - On Time					10 ms			
Max. Turn - Off Time					10 ms			
Operate Frequency					47~70 Hz			
Max. Power Dissipation	2 W / A				1.8 W / A	2 W / A		
Min. Off - State dv / dt					200 V / μ s			
Turn - On Type					Zero - On			

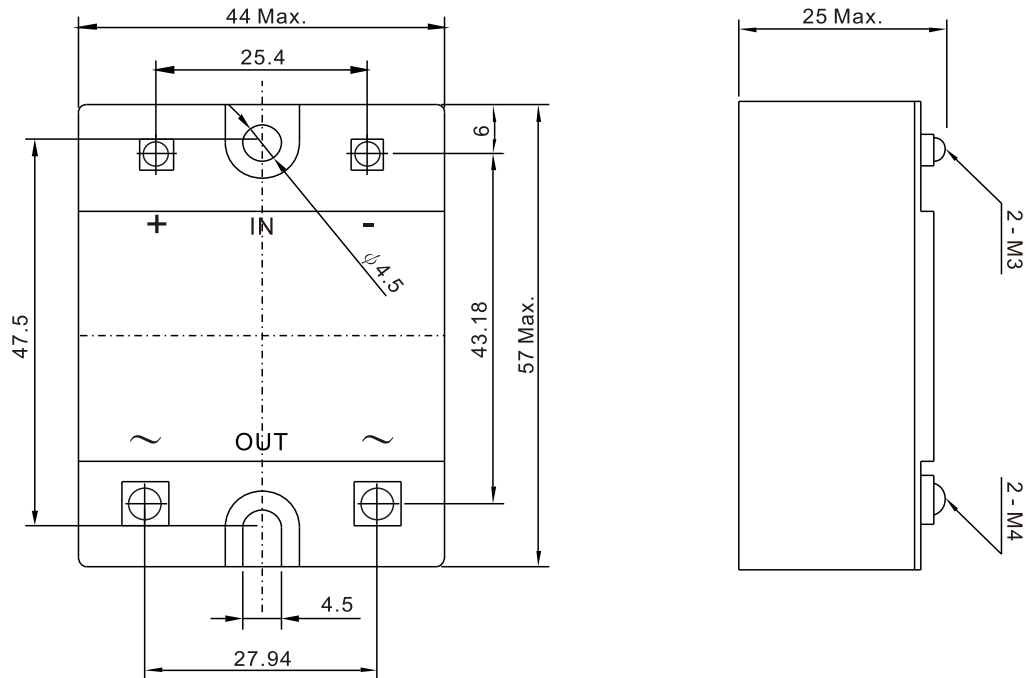
General Rating

Min. Insulation Resistance	1000 M Ω
Insulation Between Input - Output	2000 VAC
Insulation Input - Output To Case	2000 VAC
Operating Temperature	-30°C ~ +80°C
Storage Temperature	-40°C ~ +100°C
Unit Weight	Approx 120g

Load Current Derating Curve



Dimensions (Unit: mm)



Safety Cover

