

## 2 Form C Mini-size EMR

### Features

- High mounting density on P.C. board by small size and light weight.
- DIL pitch terminal, suitable for signal circuit.
- Nominal power 150mW~450mW.
- Lead - Free (LF) products available.
- UL recognized.
- TÜV recognized.



### Order Code

BTA-12-S-2C  
a b c d

a: Relay Model

b: Nominal Coil Voltage

c: Coil Power: S=150mW ; M=200mW ; L=450mW

d: Contact Form: 2C=2Form C

### Coil Data-Standard Type (at 20°C)

Nominal Voltage (VDC)	Coil Resistance $\pm 10\%$ (ohm)			Max. Operate Voltage (VDC)	Min. Release Voltage (VDC)	Max. Allowable Voltage (VDC)
	S(0.15W)	M(0.2W)	L(0.45W)			
3	----	45	20	75%	10%	130%
5	165	125	56			
6	240	180	80			
9	540	405	180			
12	960	720	320			
24	3840	2880	1280			
48	----	----	5100			

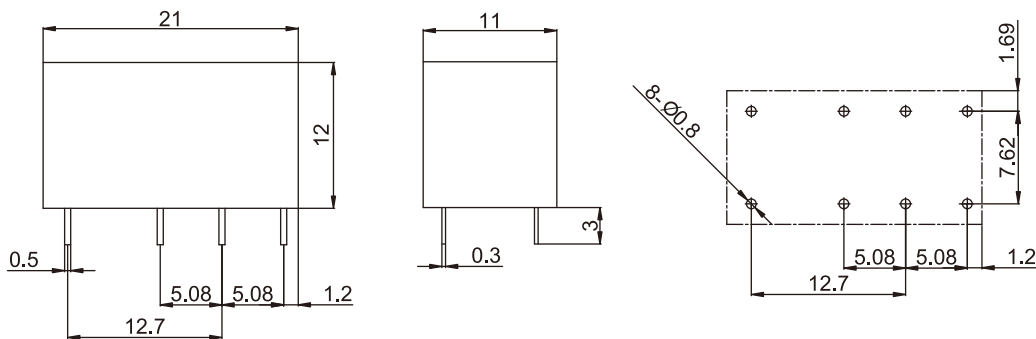
### Contact Rating

Contact Form	2 Form C
Contact Rating	1A 120VAC / 24VDC
Max. Switching Voltage	220VAC / 30VDC
Max. Switching Current	2A
Max. Carry Current	2A
Max. Switching Power	120AC/30W

Specification

Contact Material	Silver Alloy
Contact Resistance	Max. 100m ohm (6VDC 1A)
Operate Time	6ms
Release Time	5ms
Insulation Resistance	1000M ohm Min. (500VDC)
Dielectric Strength	Between Open Contact 500VAC(for 1 min)
	Between Coil to Contacts 1000VAC(for 1 min)
Vibration	10-55Hz, 1.5mm
Shock Resistance	500 m/s <sup>2</sup> , 11ms
Life Expectancy of Mechanical	10,000,000 ops.
Life Expectancy of Electrical	100,000 ops.
Operating Temperature	-30°C ~ +70°C
Weight	Approx.5g

Dimensions (Unit: mm)



Wiring Diagrams (Bottom View)

