



Electrical Specifications

Contact Form	1 Form A	2 Form A	
Breakdown Voltage :	Between contacts	200 VDC	200 VDC
	Contactto coil	1500 VDC	1500 VDC
Insulation Resistance	$10^{12} \Omega$	$10^{12} \Omega$	
Capacitance - Typical Across open contacts	0.1 pF	1.0 pF	
Open contact to coil	2.0 pF	1.4 pF	
Operate Time Including bounce - Typical	0.5 mS	0.75 mS	
Release Time	0.3 mS	0.5 mS	

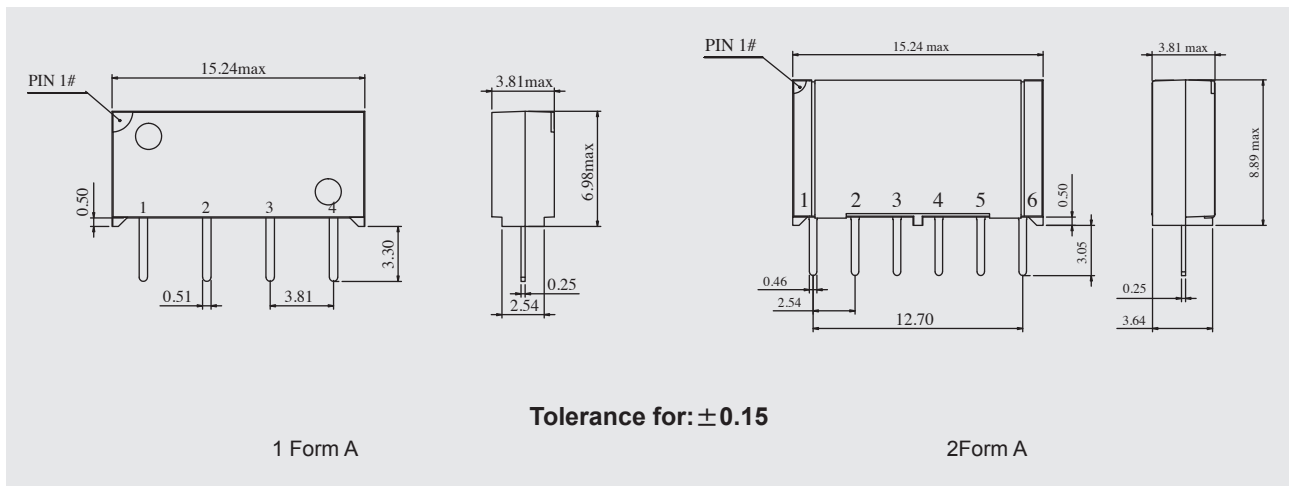
Mechanical Specifications

Vibration(0 to 2KHz 1.5mm)	20G
shock(11mS 1/2 Sin Wave)	50G

Environmental

Operating Temp	-20°C ~+85°C	
Storage Temp	-35°C ~+100°C	
Life Expectancy(1.0VDC 10mA)	5X10 ⁸	5X10 ⁸

Dimensions (Unit : mm)



Wiring Diagrams (Bottom View)

