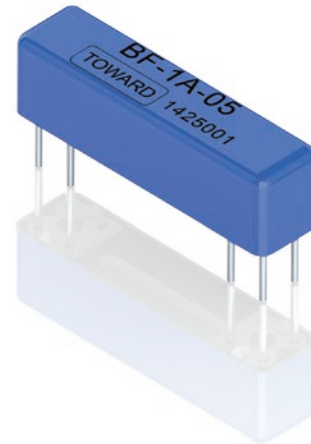


# BF Series

## 1a, 1c Reed Relays

### Features

- High reliability reed relays.
- High Insulation Resistance.
- High speed switching compared to electromechanical relays.
- Hermetically sealed contacts for long life.
- Optional electrostatic shield for reducing capacitive coupling.
- Optional coaxial shield for 50Ω impedance and switching of fast rise time digital pulses.
- RoHS compliant.



### Order Code

BF- XX-XX X X  
           a   b c d

a : Contact Form : 1A=1 Form A, 1C=1 Form C  
 b : Nominal Coil Voltage : 05=5 VDC, 12=12 VDC  
 c : Nil=No Electrostatic Shield, E=Electrostatic Shield ,  
     C=Coaxial Shield  
 d : Nil=Standard Type, Y=Special Pin Assignment

### Coil Data-Standard Type (at 20°C )

Part Number	Nominal Voltage DC ± 10% [V]	Coil Resistance ± 10% [ohm]	Nominal Current [mA]	Must Release Voltage MIN. [V] at 20°C	Must Operate Voltage MAX. [V] at 20°C
BF-1A	5	370	13.5	0.4	3.8
	12	1500	8	1.0	9.0
BF-1C	5	230	22	0.4	3.8
	12	1500	8	1.0	9.0

### Contact Specifications

Contact Form	1 Form A	1 Form C
Contact Rating	10W	3W
Max. Switching Voltage	200V	100V
Max. Switching Current	0.5A	0.25A
Max. Carry Current	1.0A	0.5A
Max. Static Contact Resistance	100mΩ	150mΩ
Max. Dynamic Contact Resistance	200mΩ	200mΩ



### Electrical Specifications

Contact Form	1 Form A	1 Form C
Breakdown Voltage Between contacts contact to shield contact / shield to coil	250VDC	200VDC
	250VDC	N / A
	1500VDC	1500VDC
Insulation Resistance	$10^{12}\Omega$	$10^{11}\Omega$
Capacitance	0.9pF	0.9pF
Operate Time Including bounce - Typical	0.5mS	1.0mS
Release Time - Typical	0.1mS	2.0mS

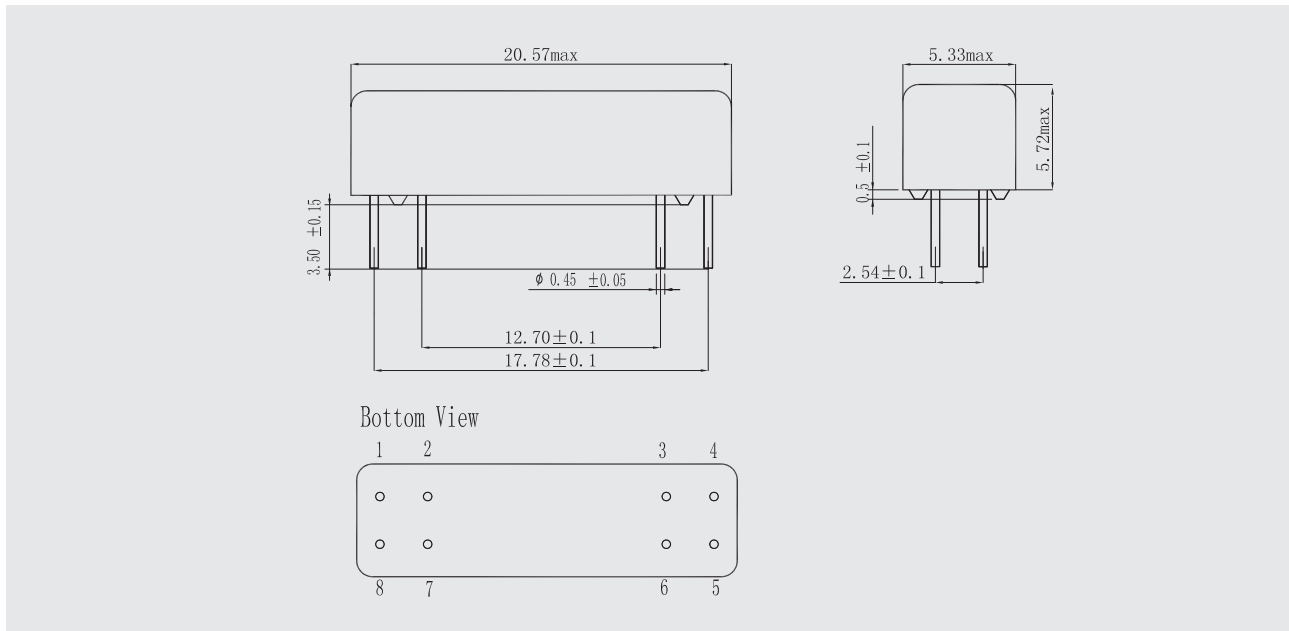
### Mechanical Specifications

Vibration (0 to 2KHz 1.5mm)	20G
shock (11mS 1/2 Sin Wave)	50G

### Environmental

Operating Temperature	-25°C ~+85°C
Storage Temperature	-35°C ~+100°C
Life Expectancy (1.0VDC 10mA)	5X10 <sup>8</sup> 1X10 <sup>8</sup>

### Dimensions (Unit : mm)



### Wiring Diagrams (Top View)

