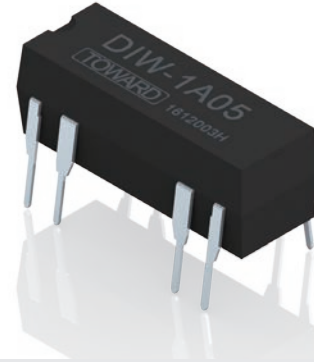


# DIW Series

## DIP Type. Wet Reed Relay

### Features

- High Power Mercury Reed Relay.
- Low Stray Capacitance.
- High Life Expectancy.
- Diode Magnetic shield and Options.



### Order Code

DIW/DIWN-1A-XX X-X-X  
a b c d

- a : Nominal Coil Voltage : 05=5VDC, 12=12VDC, 24=24VDC  
 b : Nil=Standard Type, D=Diode, S=Magnetic Shield, N=Diode+Magnetic Shield  
 c : Special Code  
 d : Nil=Pin2 and Pin13 not Connected, T=Pin2 and Pin13 Connected

### Coil Data-Standard Type 1 Form A (at 20°C )

| Nominal Voltage<br>DC $\pm 10\%$ [V] | Coil Resistance<br>$\pm 10\%$ [ohm] | Nominal<br>Current (mA) | Max.<br>Operate Voltage<br>(VDC) | Min.<br>Release Voltage<br>(VDC) |
|--------------------------------------|-------------------------------------|-------------------------|----------------------------------|----------------------------------|
| 5                                    | 150                                 | 33.3                    | 3.8                              | 0.5                              |
| 12                                   | 500                                 | 24                      | 9                                | 1                                |
| 24                                   | 1440                                | 16.7                    | 18                               | 2                                |

### Contact Rating

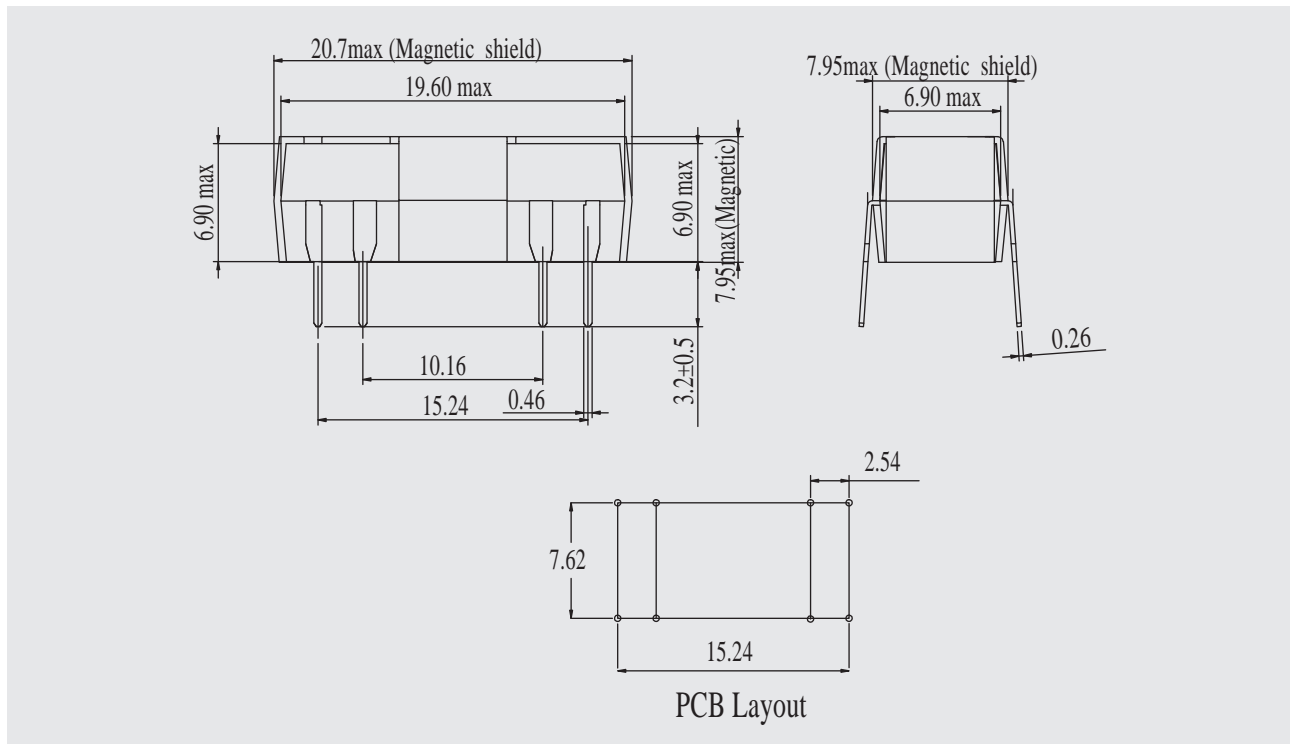
| Relay Model           | DIW     | DIWN   |
|-----------------------|---------|--------|
| Max.Switching Power   | 50W     |        |
| Max.Switching Voltage | 1500VDC | 500VDC |
| Max.Switching Current | 2A      |        |
| Max.Carry Current     | 3A      |        |



### Specification

|                                    |                                                   |                          |
|------------------------------------|---------------------------------------------------|--------------------------|
| Relay Model                        | <b>DIW</b>                                        | <b>DIWN</b>              |
| Contact Resistance                 | 100mΩ                                             |                          |
| Operate Time (Incl.bounce)         | 2.0mS                                             | 1.2mS                    |
| Release Time                       | 1.5mS                                             | 1.0mS                    |
| Insulation Resistance              | Open Contacts 1x10 <sup>10</sup> Ω                |                          |
|                                    | Contacts to Coil 1x10 <sup>10</sup> Ω             |                          |
| Dielectric Strength                | Open Contacts 2000VDC                             | Open Contacts 1500VDC    |
|                                    | Contacts to Coil 1500VDC                          | Contacts to Coil 1500VDC |
| Capacitance(between open contacts) | 0.3pF                                             |                          |
| Vibration(10-55Hz)                 | 10G                                               | 20G                      |
| Shock Resistance(11ms,1/2sin Wave) | 30G                                               | 50G                      |
| Operating Temperature              | -10°C ~+60°C                                      |                          |
| Storage Temperature                | -30°C ~+80°C                                      |                          |
| Life Expectancy of Mechanical      | 1x10 <sup>9</sup> Operations                      |                          |
| Life Expectancy of Electrical      | 500VDC, 0.1A, 5x10 <sup>7</sup> Operations (R.L.) |                          |

### Dimensions (Unit : mm)



### Wiring Diagrams (Bottom View)

