



HMR2 Series

Wet Reed Relay

Features

- High Power Mercury Reed Relay.
- Low life expectancy.
- Low Stray Capacitance.
- Magnetic Shield Options.



Order Code

HMR2-1A-XX-X
a b

a : Coil Voltage 05=5VDC, 12=12VDC, 24=24VDC
b : Nil=Standard Type, S=Magnetic Shield

Coil Data-Standard Type (at 20°C)

Nominal Voltage DC $\pm 10\%$ [V]	Coil Resistance $\pm 10\%$ [ohm]	Nominal Current (mA)	Min. Release Voltage (VDC)	Min. Operate Voltage (VDC)
5	150	33.3	0.5	3.8
12	500	24	1.0	9.0
24	1440	16.7	2.0	18.0

Contact Rating

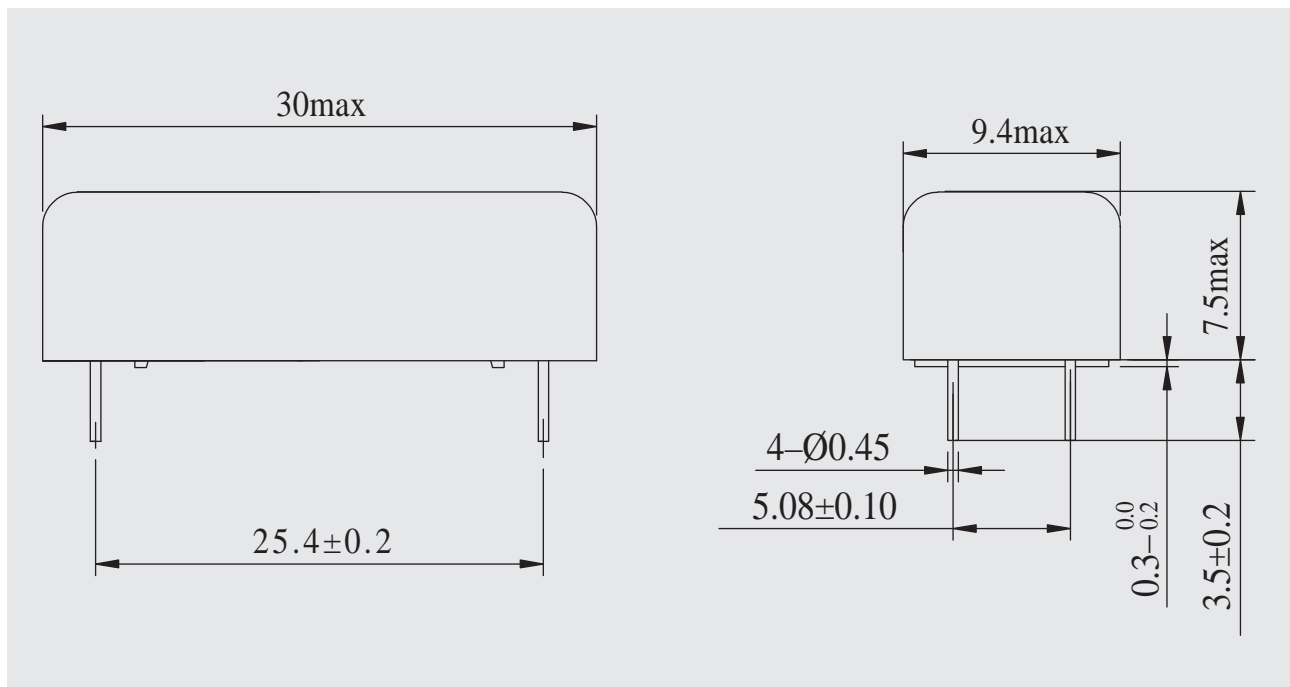
Contact Form	1 Form A
Contact Rating	50W
Max.Switching Voltage	1500VDC
Max.Switching Current	2A
Max.Carry Current	3A



Specification

Contact Resistance	100mΩ
Breakdown Voltage	Open contacts 2000VDC
	Contact to Coil 1500VDC
Insulation Resistance	Open contacts $1 \times 10^{10} \Omega$
	Contact to Coil $1 \times 10^{10} \Omega$
Capacitance(typ)	0.3pF
Operate Time	2.0mS
Release Time	1.5mS
Vibration	10G
Shock	30G
Operating Temperature	-10°C ~+60°C
Storage Temperature	-30°C ~+80°C
Life Expectancy of Mechanical	1×10^9 operations
Life Expectancy of Electrical	500VDC, 0.1A, 5×10^7 operations

Dimensions (Unit : mm)



Wiring Diagrams (Top View)

