

# HMR8 Series

## Wet Reed Relay

### Features

- High Breakdown Voltage Reed Relay.
- Low and Stable Contact Resistance.
- Low Stray Capacitance.
- Magnetic Shield and diode Options.



### Order Code

HMR8-2A-XX X-X  
a b c

a : Coil Voltage 05=5VDC, 12=12VDC, 24=24VDC

b : Options NIL=No diode, D=diode

c : 1=Standard, 2=Special

### Coil Data-Standard Type (at 20°C)

Nominal Voltage DC $\pm 10\%$ [V]	Coil Resistance $\pm 10\%$ [ohm]	Nominal Current (mA)	Min. Release Voltage (VDC)	Min. Operate Voltage (VDC)
5	50	100	0.5	3.8
12	250	48	1.0	9.0
24	1000	24	2.0	18.0

### Contact Rating

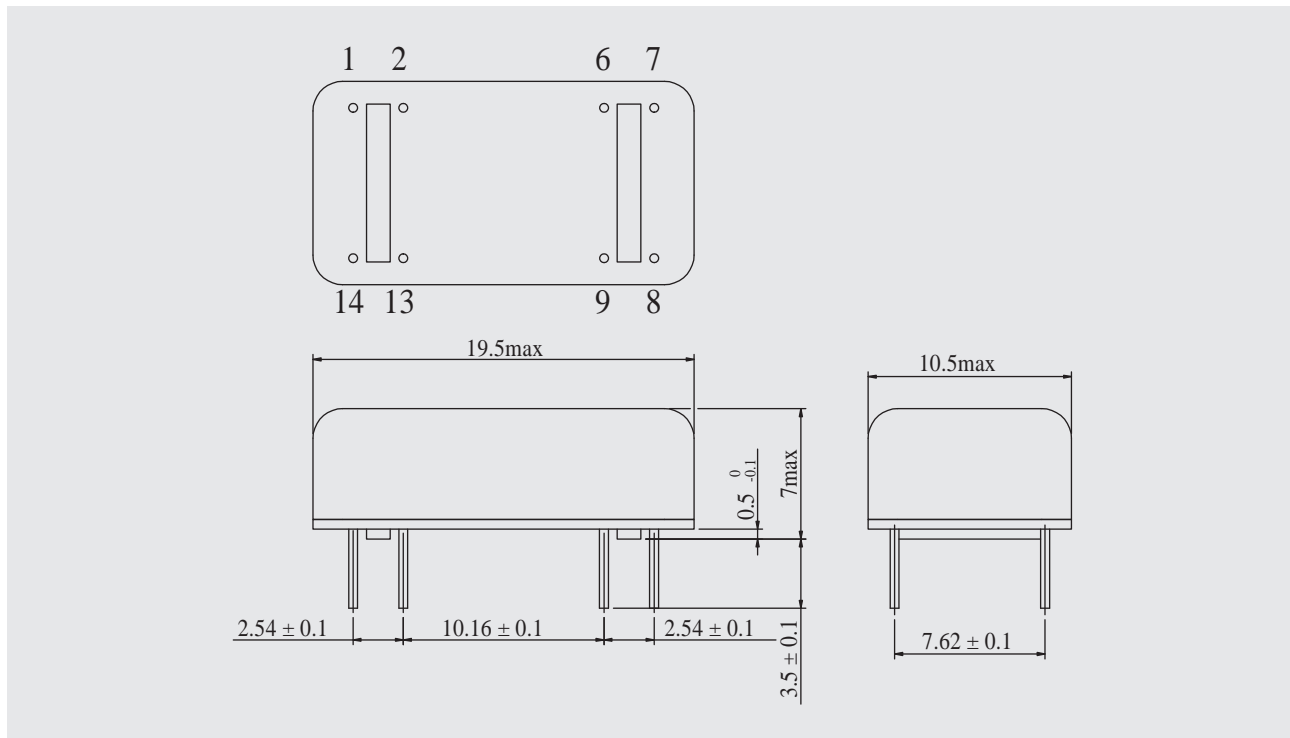
Part Number	Standard	Special
Contact Form	2 Form A	2 Form A
Contact Rating	50W	50W
Max.Switching Voltage	1500VDC	500VDC
Max.Switching Current	2A	2A
Max.Carry Current	3A	3A



### Specification

Part Number	Standard	Special
Contact Resistance	100mΩ	100mΩ
Breakdown Voltage	Open contacts 2000VDC	Open contacts 1500VDC
	Contact to Coil 1000VDC	Contact to Coil 1000VDC
Insulation Resistance	Open contacts 1x10 <sup>9</sup> Ω	Open contacts 1x10 <sup>9</sup> Ω
	Contact to Coil 1x10 <sup>9</sup> Ω	Contact to Coil 1x10 <sup>9</sup> Ω
Capacitance(typ)	Open contacts 0.3pF	Open contacts 0.3pF
Operate Time	2.5mS	2.5mS
Release Time	1.5mS	1.5mS
Vibration	20G	20G
Shock	30G	30G
Operating Temperature	-10°C ~+60°C	-10°C ~+60°C
Storage Temperature	-20°C ~+80°C	-20°C ~+80°C
Life Expectancy of Mechanical	1x10 <sup>9</sup> operations	1x10 <sup>9</sup> operations
Life Expectancy of Electrical	500VDC-100mA, 5x10 <sup>7</sup> operations	500VDC-100mA, 5x10 <sup>7</sup> operations

### Dimensions (Unit : mm)



### Wiring Diagrams (Top View)

